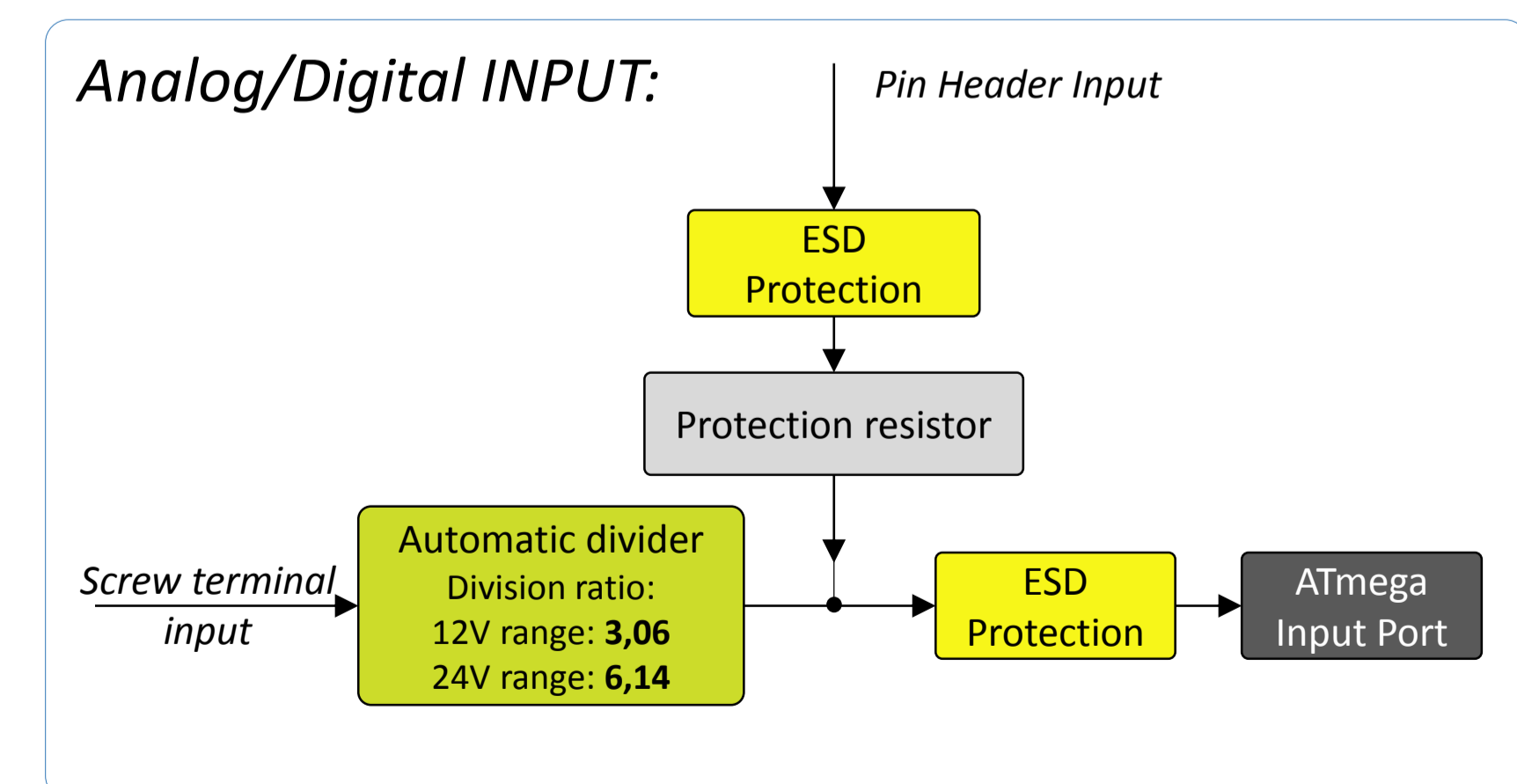
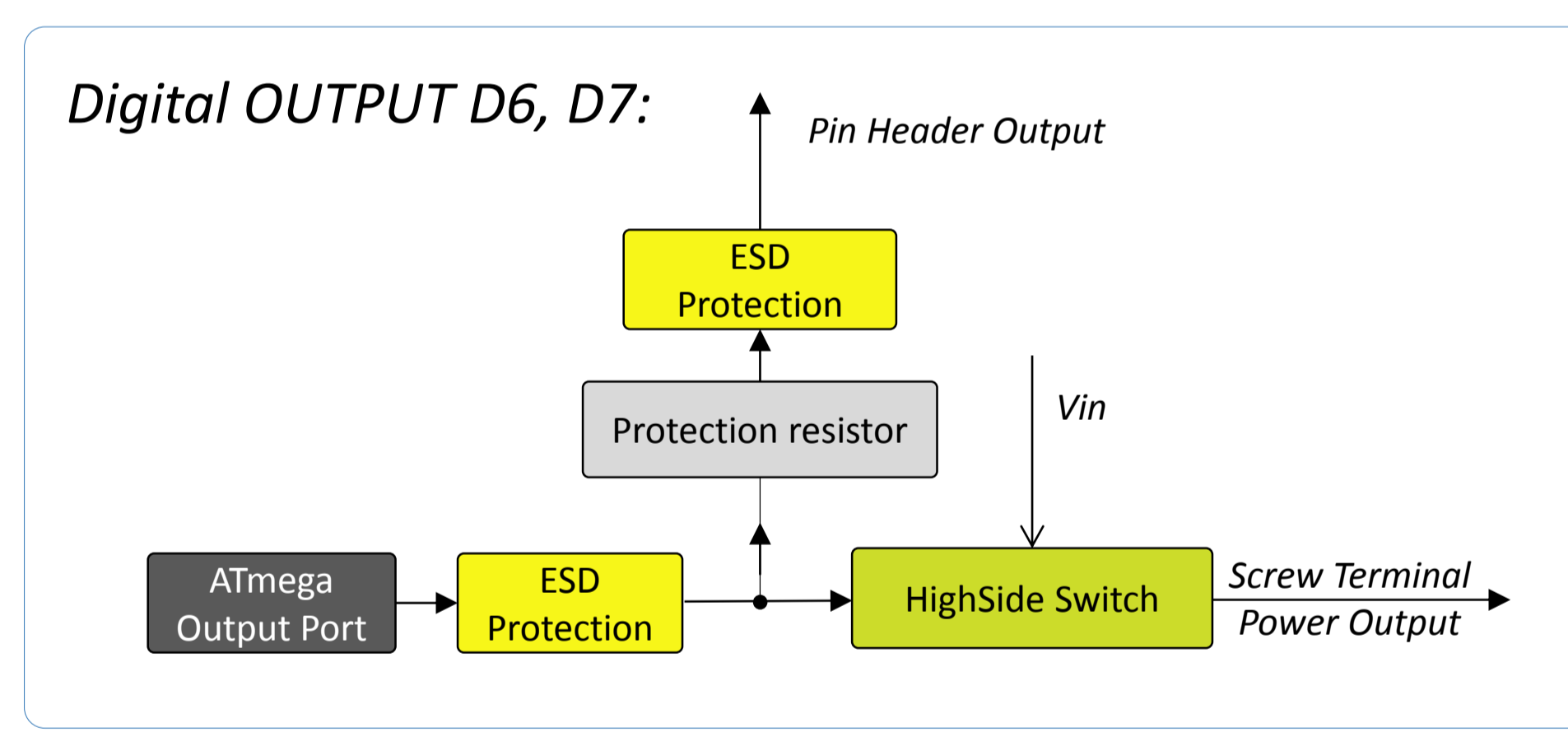
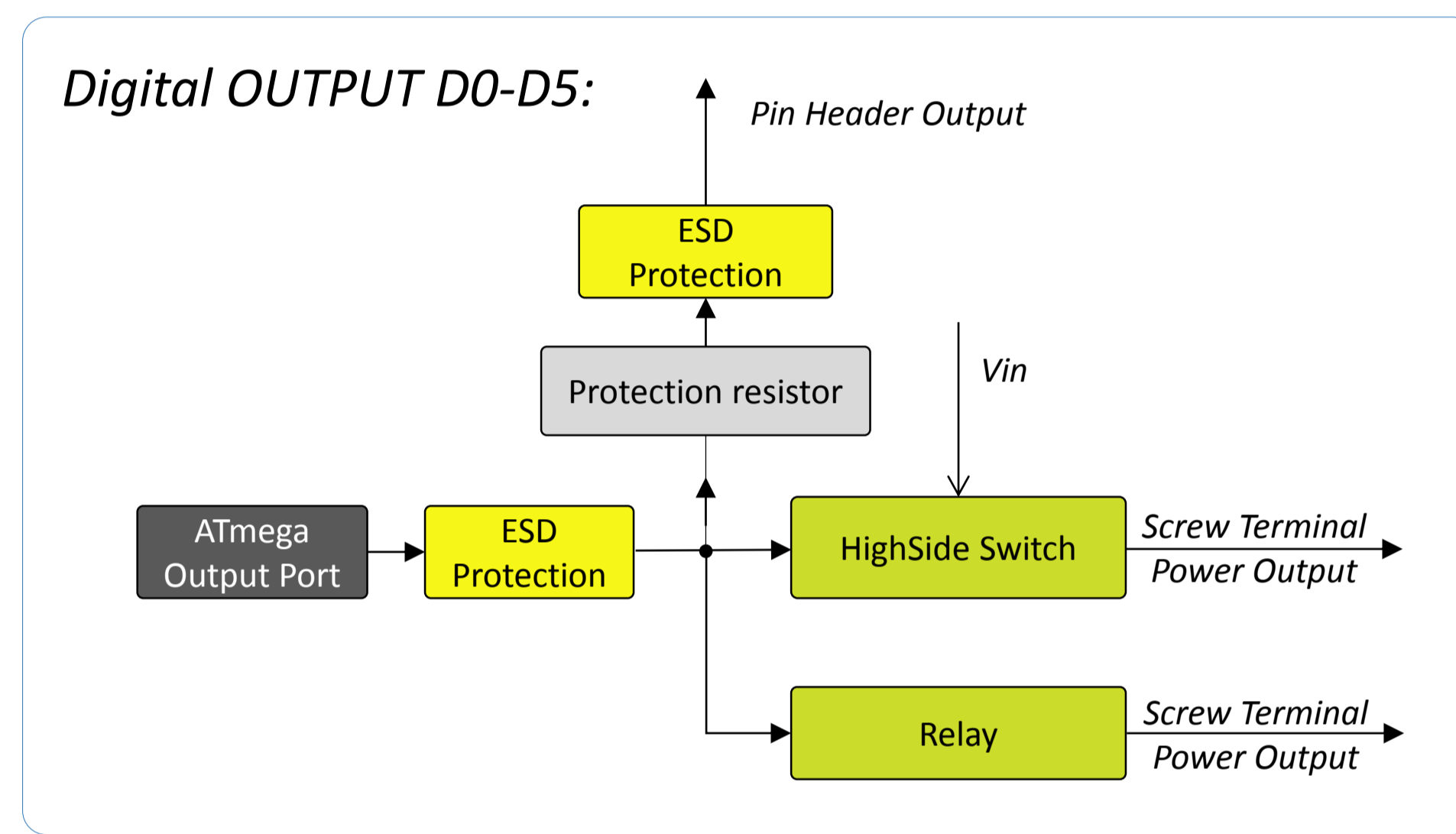
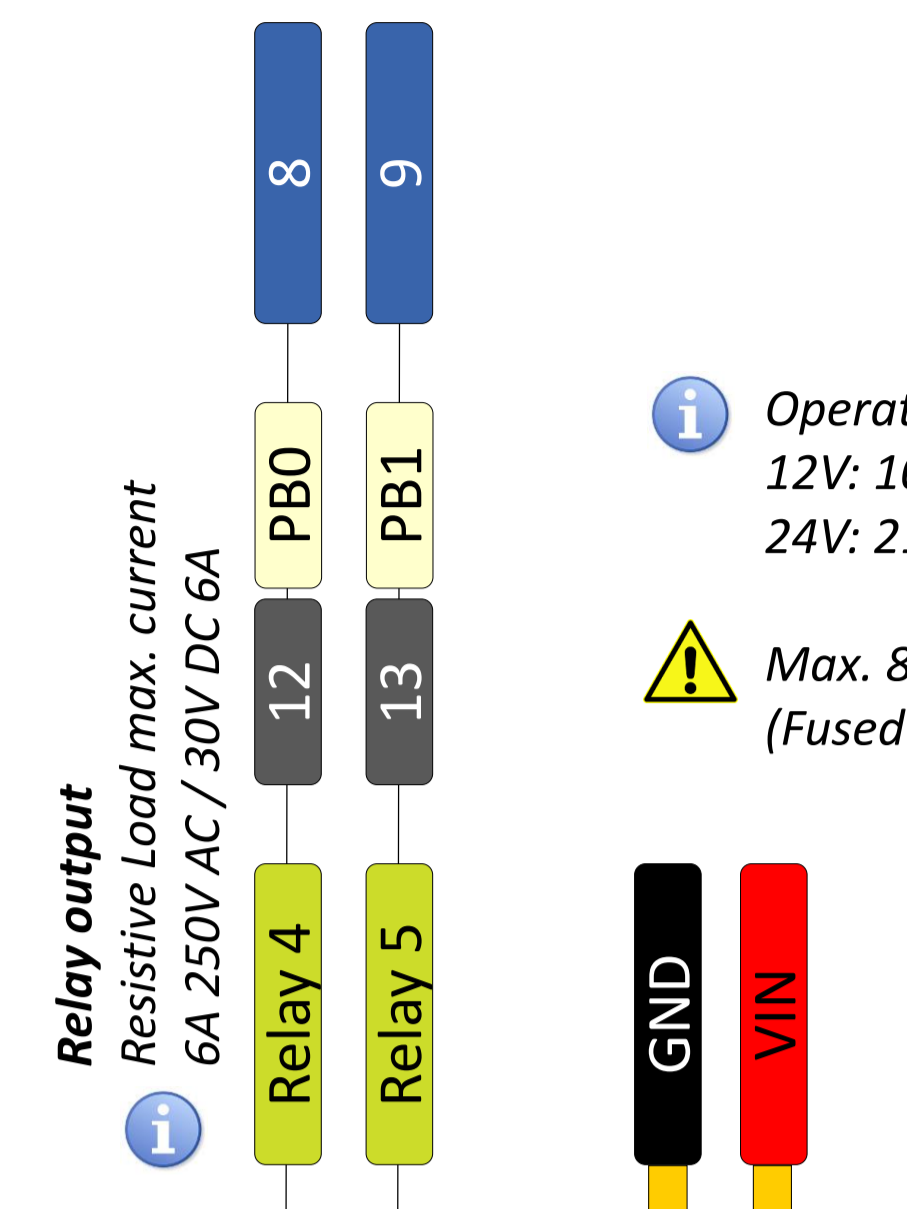
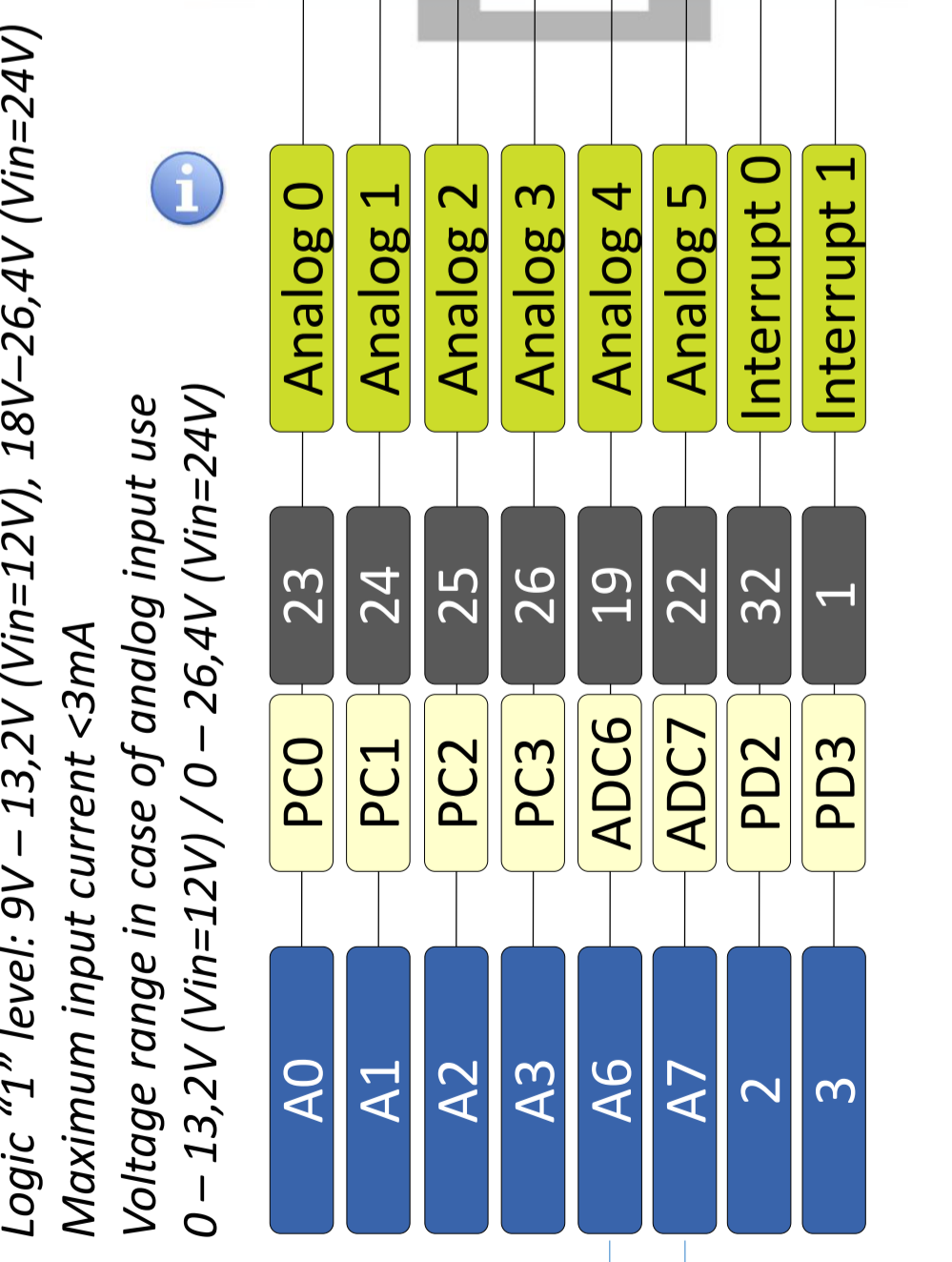
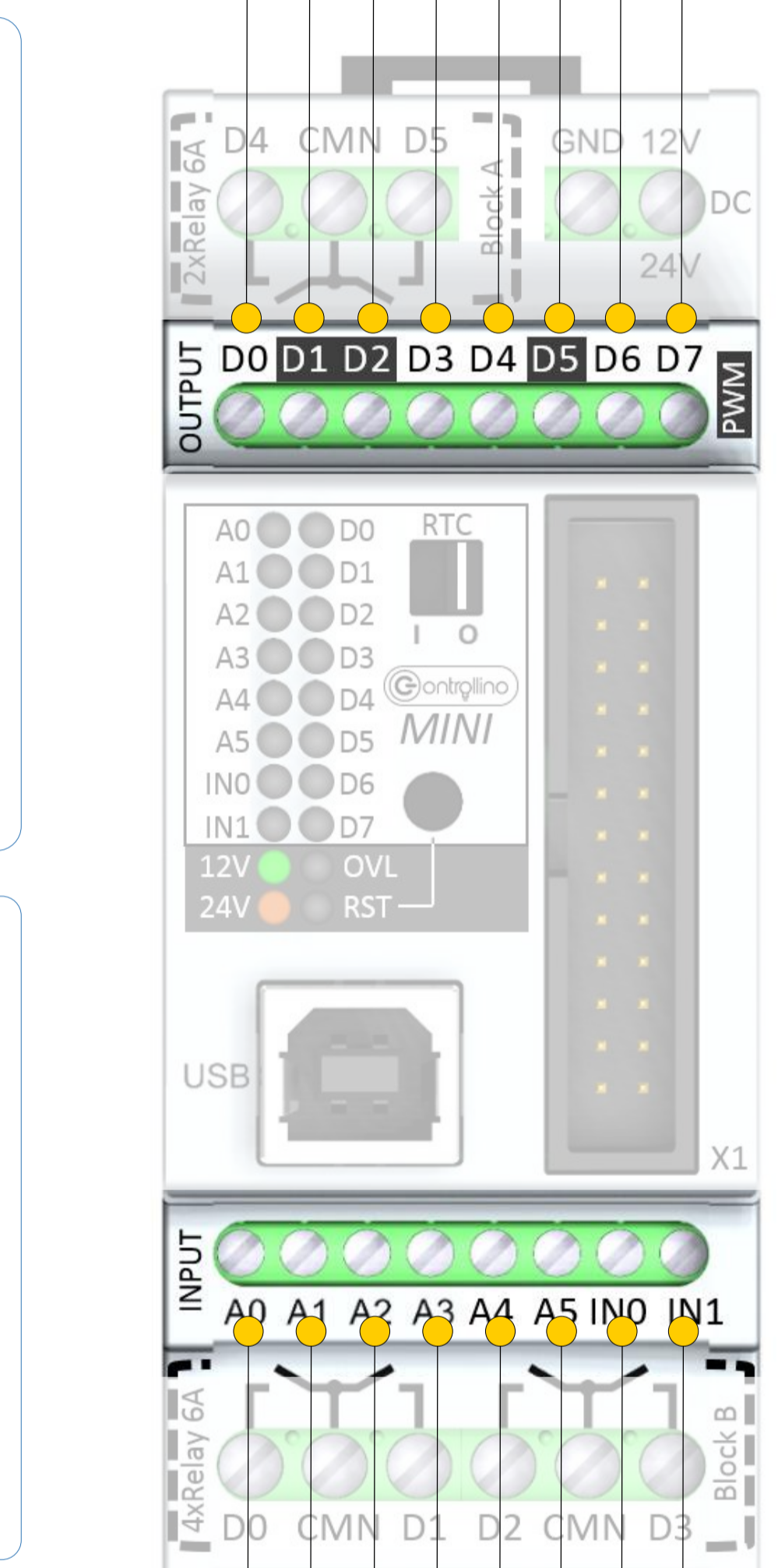
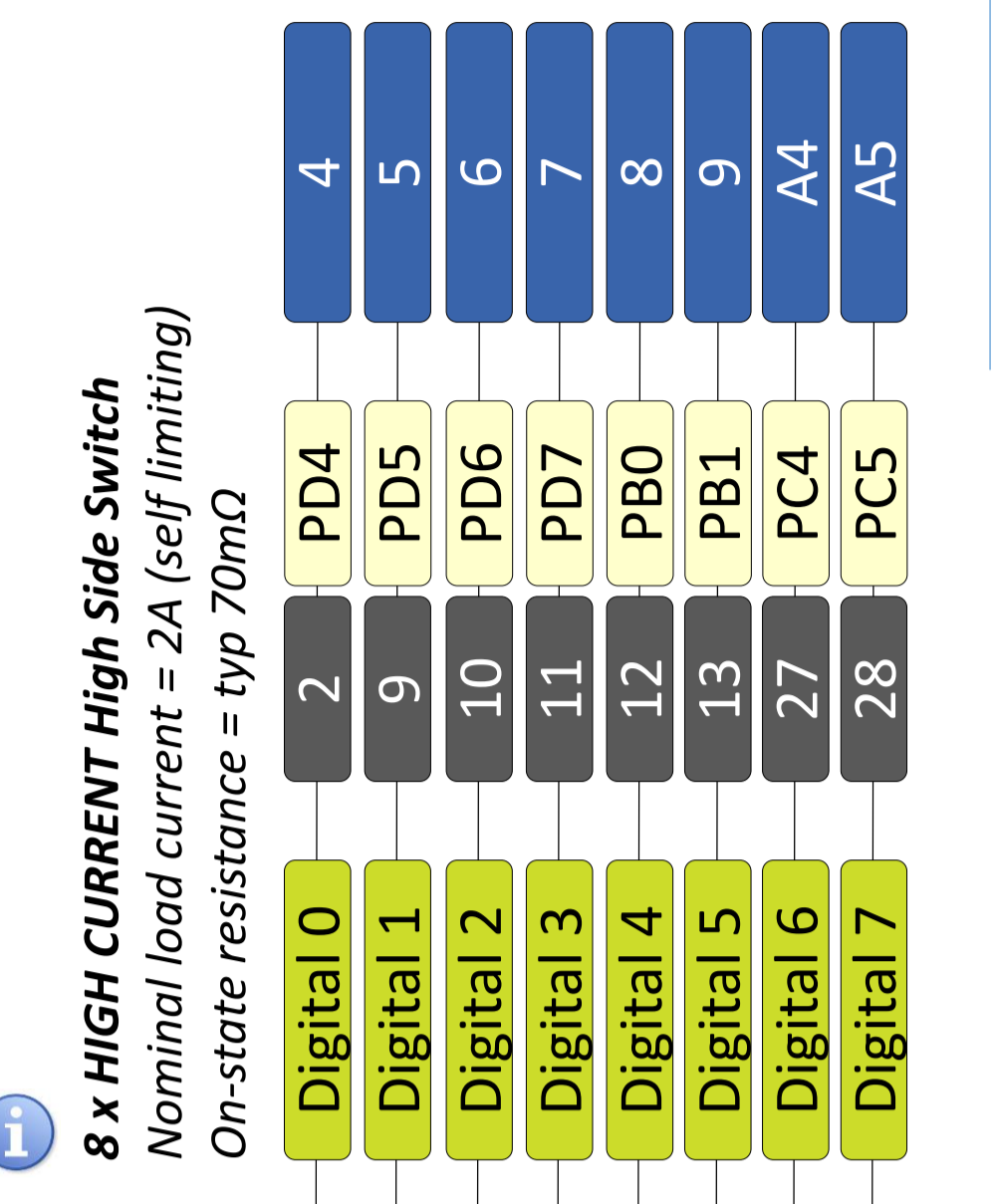


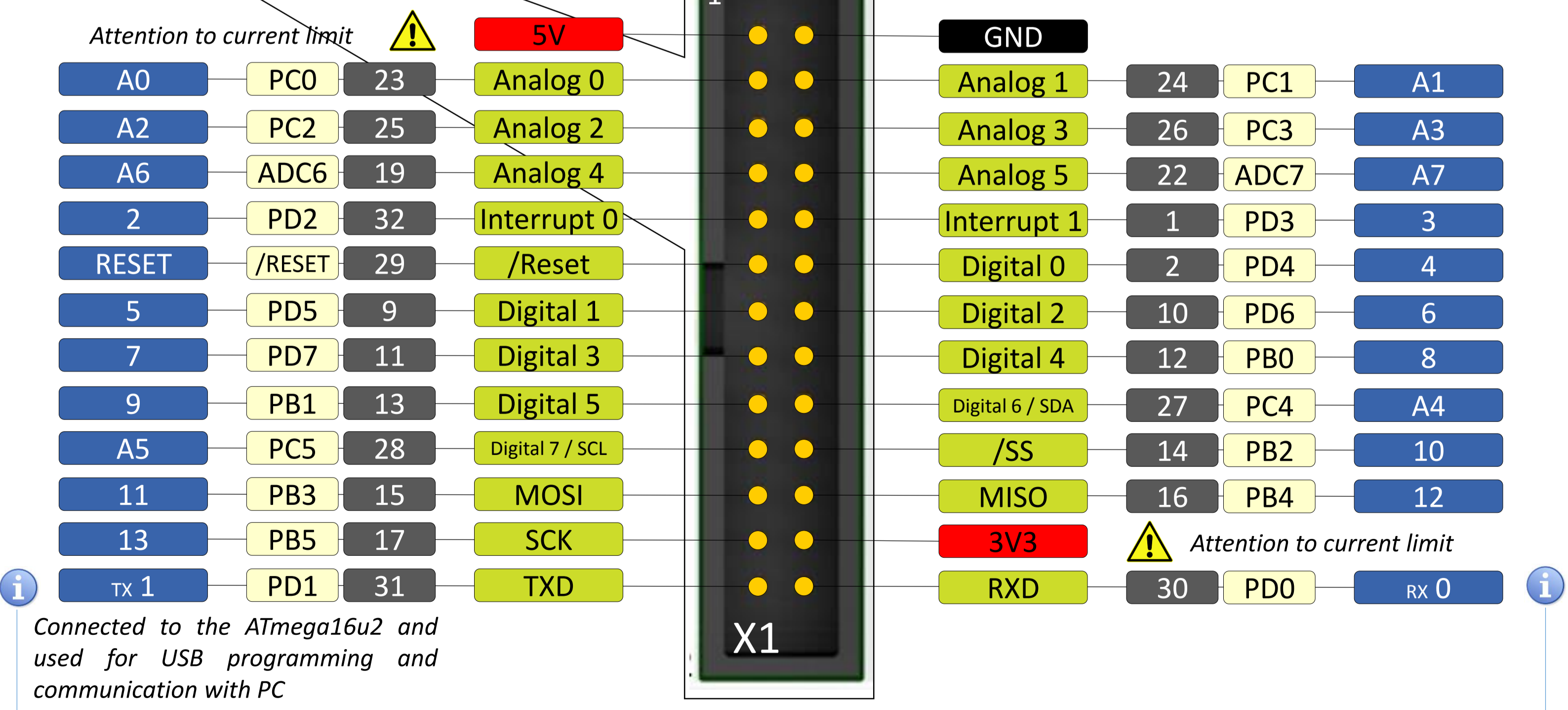
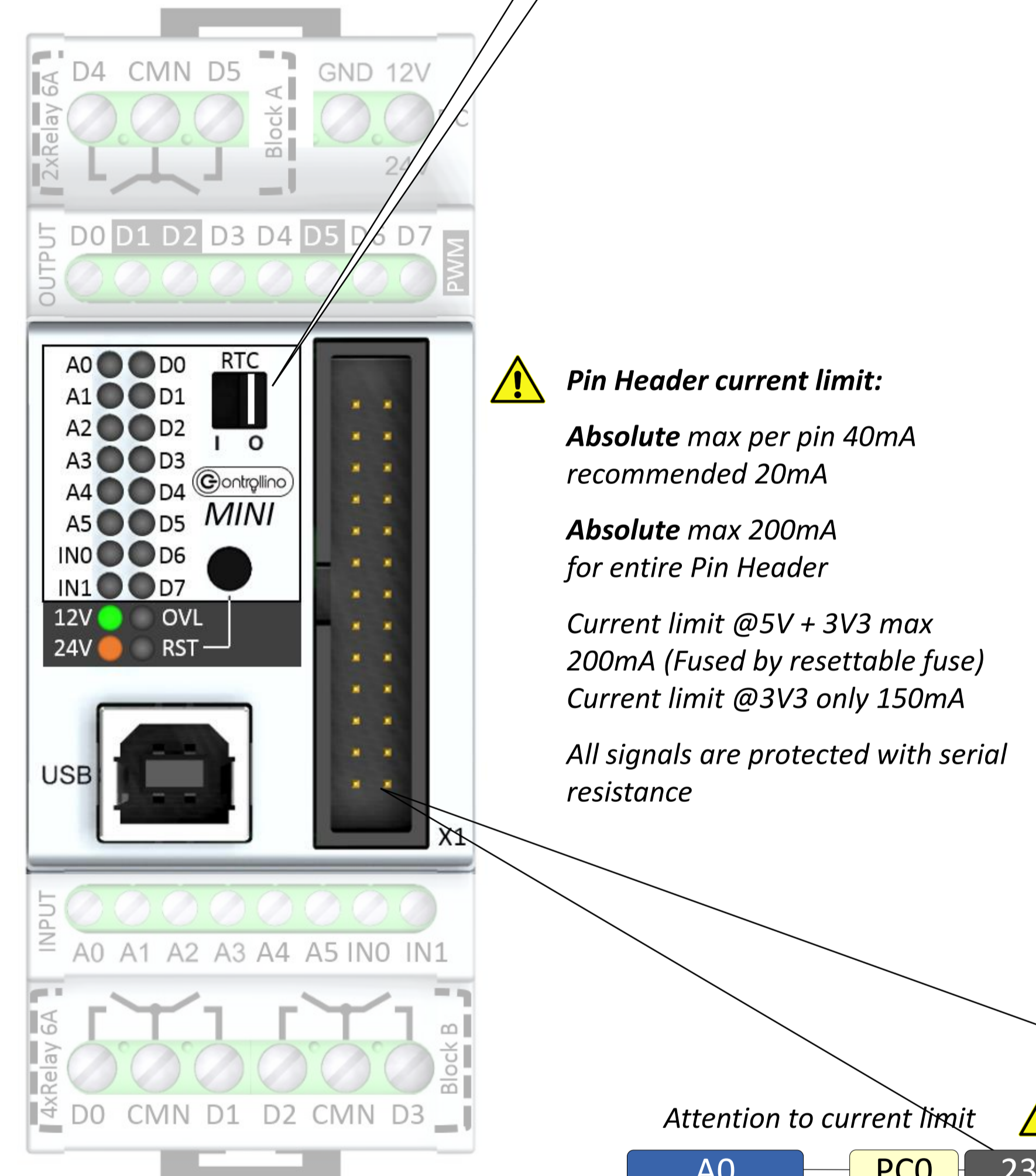
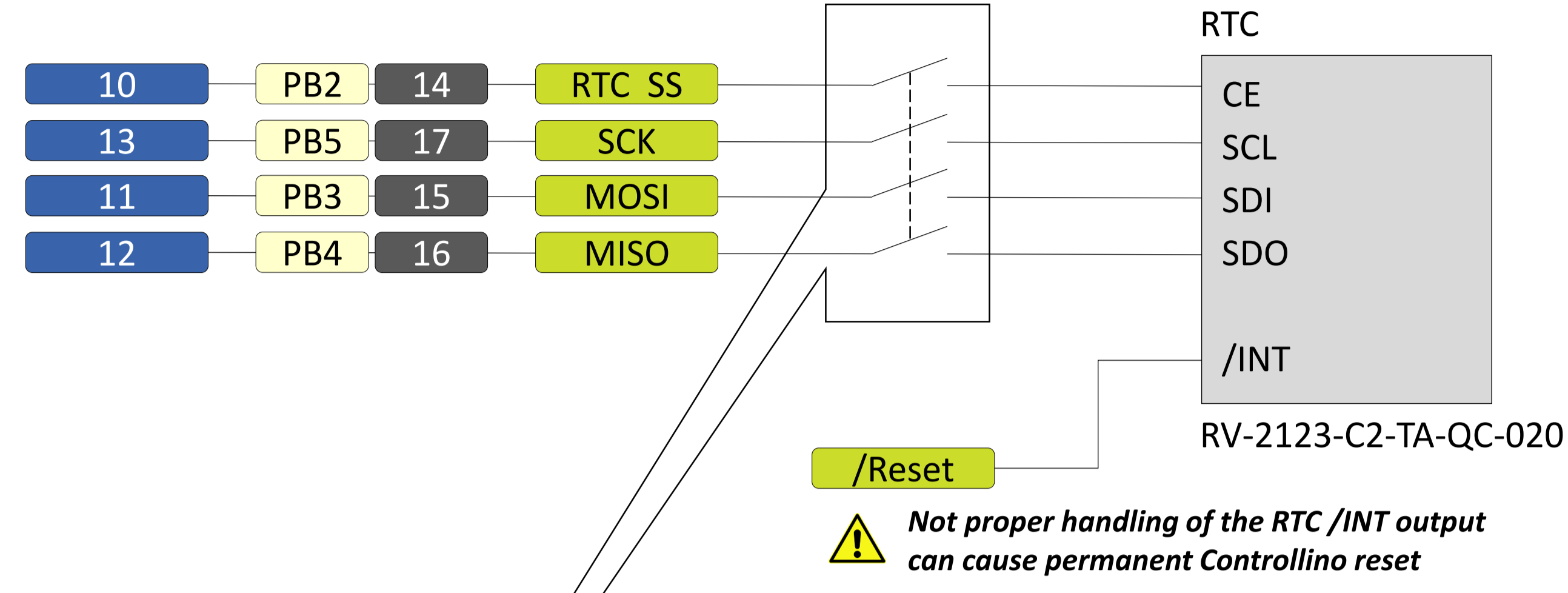
Digital Outputs 0-5 are parallel to Relay Outputs 0-5



Signal Inputs
Logic "0" level: 0V - 3,6V (Vin=12V), 0V - 7,2V (Vin=24V)
Logic "1" level: 9V - 13,2V (Vin=12V), 18V - 26,4V (Vin=24V)
Maximum input current <3mA
Voltage range in case of analog input use
0 - 13,2V (Vin=12V) / 0 - 26,4V (Vin=24V)



A4 + A5 only Analog Inputs



GND
POWER
CONTROLLINO Function
PHYSICAL PIN
PORT PIN
ARDUINO UNO Board

General Information

Pay attention

CHIP used ATmega 328P-AU

Controllino

MINI

PINOUT V1.1